

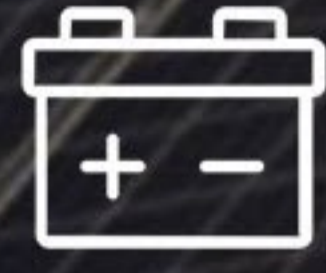
CNS110R OFF-GRID SOLAR INVERTER

3.5KW/5.5KW



MPPT

Pure Sine Wave MPPT
Solar Inverter
Built-in 80A MPPT
Solar Charger



Battery

Battery Equalization Function
Extends Lifecycle
Reserved Comport
RS485/CAN for BMS



Off-Grid

CNS110R Series is Suitable
For Off-Grid Applications

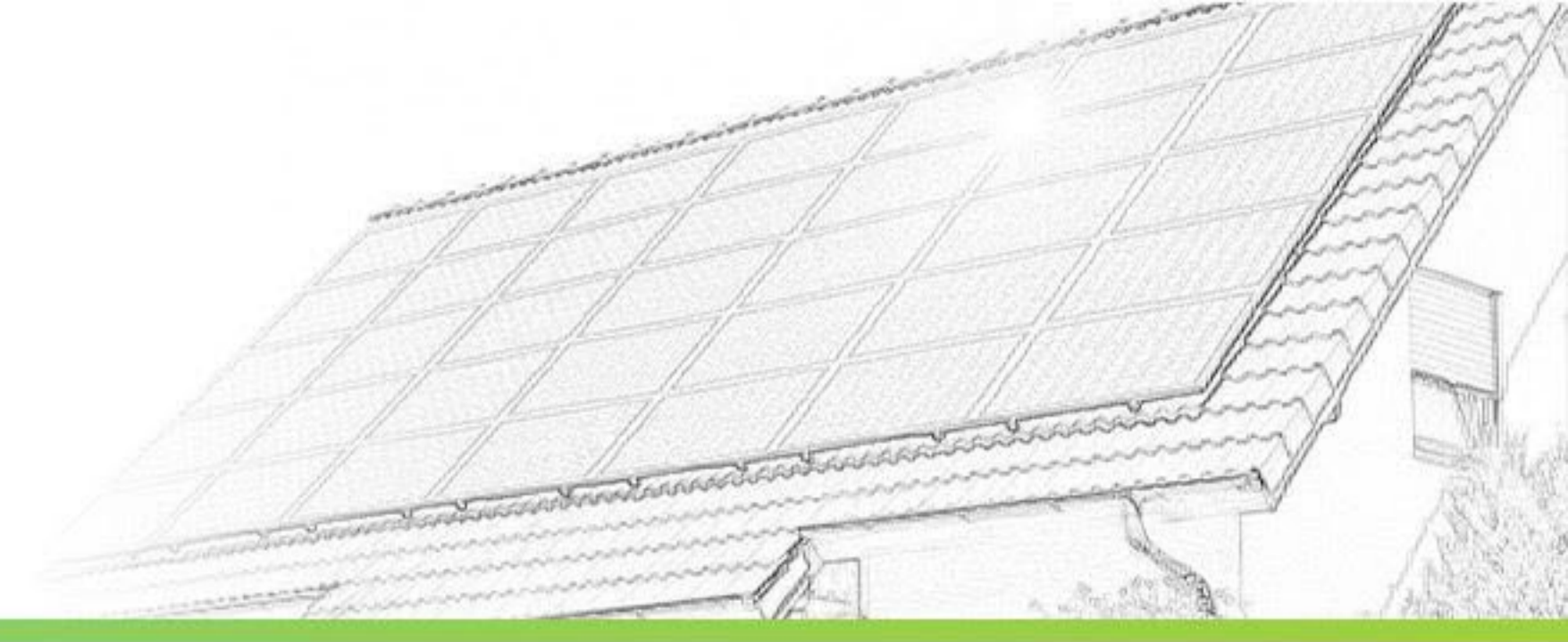


Easy Access

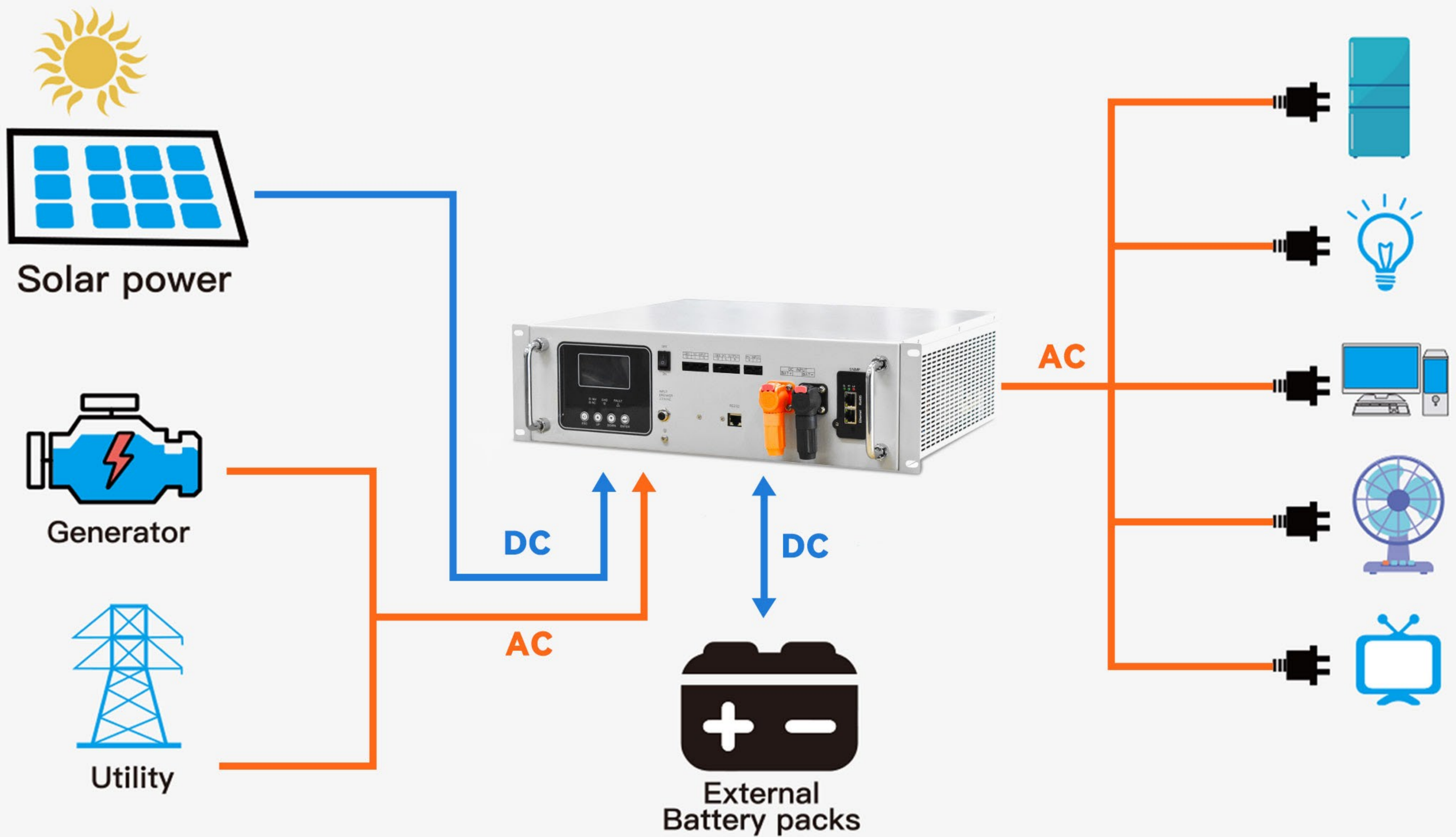
Equalization Function



PRODUCT APPLICATIONS



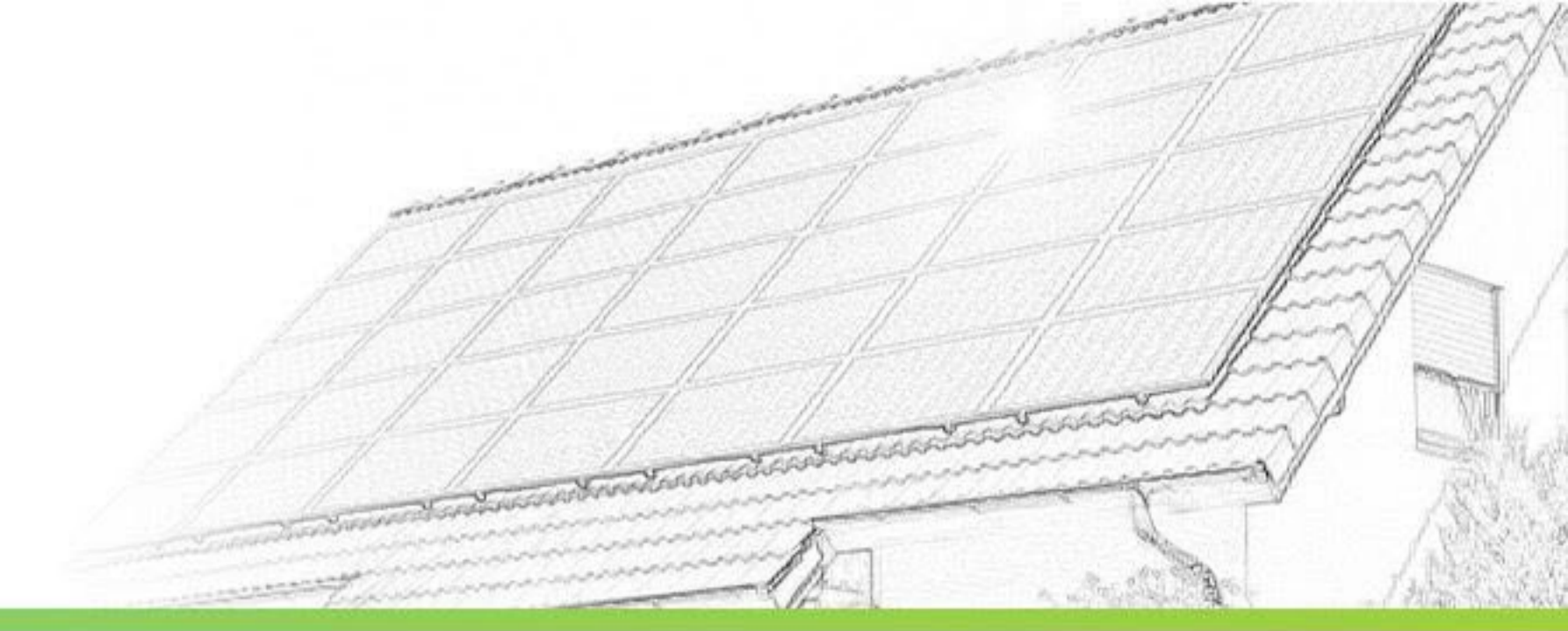
■ OFF GRID CHARGER & INVERTER



■ FEATURES

- Single-phase off-grid solar inverter.
- Optional SNMP module, supports remote monitoring.
- Support lithium battery charging and discharging management.
- Support three-phase mode and grid-connected feed mode.
- Convenient for parallel expansion, high consistency current sharing.

PRODUCT PARAMETERS



Model	CNS110R 3500-24	CNS110R 5500-48
Rated Power	3500VA / 3500W	5500VA / 5500W
Input		
Voltage	230VAC	
Optional Voltage Range	170-280VAC (For Personal Computers); 90-280VAC (For Home Appliances)	
Frequency Range	50Hz/60Hz (Auto Sensing)	
Output		
AC Voltage Regulation	230VAC±5%	
Surge Power	7000VA	11000VA
Efficiency(Peak)	>93.5%	
Transfer Time	10ms (For Personal Computers); 20ms (For Home Appliances)	
Waveform	Pure Sine Wave	
Battery		
Battery Voltage	24VDC	48VDC
Float Charge Voltage	27VDC	54VDC
Overcharge Protection	33VDC	63VDC
PV Charge & AC Charge		
Max.PV Array Power	3500W	5500W
Max.PV Array Open Circuit Voltage	500V DC	
MPPT Range & Operating Voltage	120~450V DC	
Max.Solar Charge Current	80A	
Max.AC Charge Current	80A	
Solar Charger Type	MPPT	
Physical Properties		
Packgesize,D"WH (mm)	500*500*232	
Net Weight (kg)	10.5	12.5
Communication Interface	RS232/RS485/CAN/SNMP/Dry Contact	
Environment		
Relative Humidity	5% to 95%	
Operating Temperature	-10°C - 50°C	
Storage Temperature	-15°C - 60°C	

Note: Product specifications are subject to change without further notice.



CONSNANT

Shenzhen Consnant Technology Co., Ltd.
Building B6, Junfeng Industrial Park, Yonghe Road,
Fuhai Sub-District, Bao'an District, Shenzhen City, 518103, P.R.China

Web: www.consnant.com
Tel: 0086-755-29772323
Fax: 0086-755-29772626